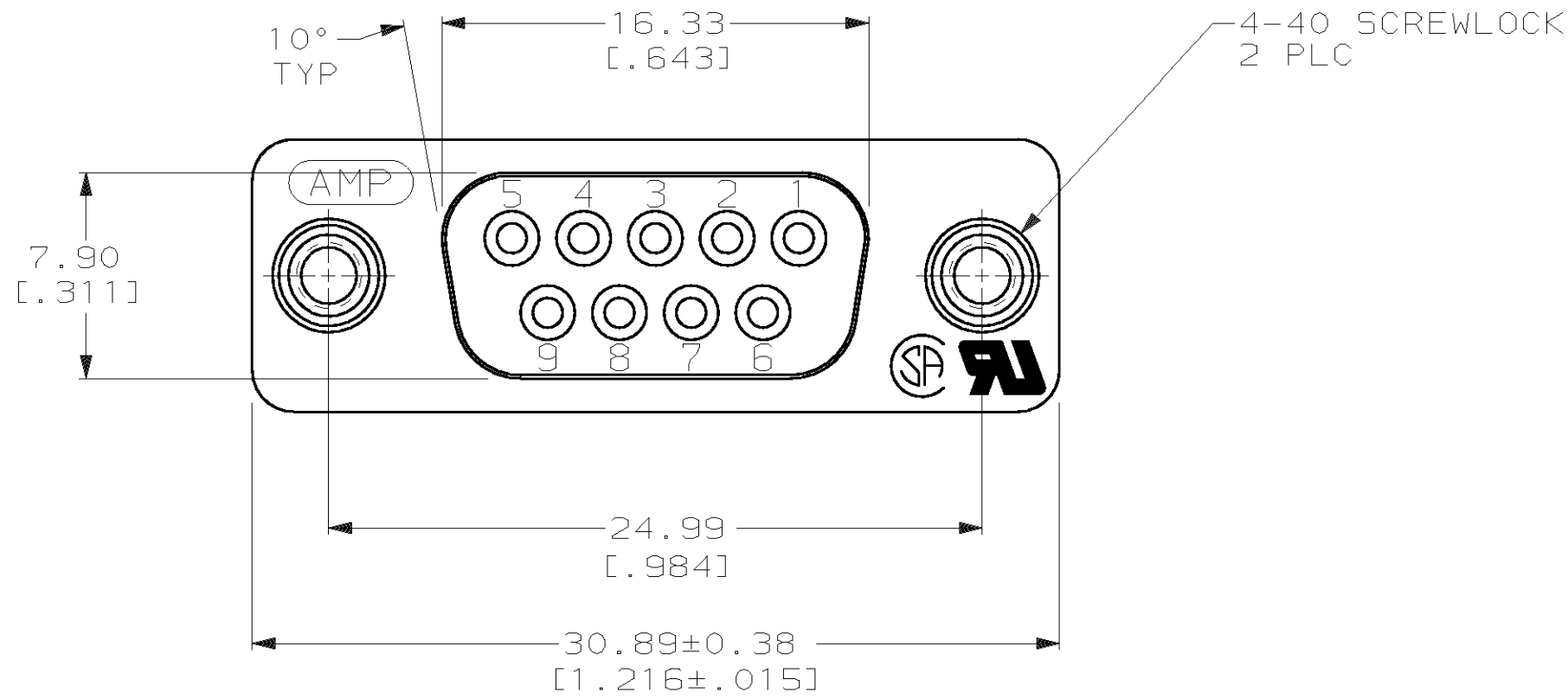
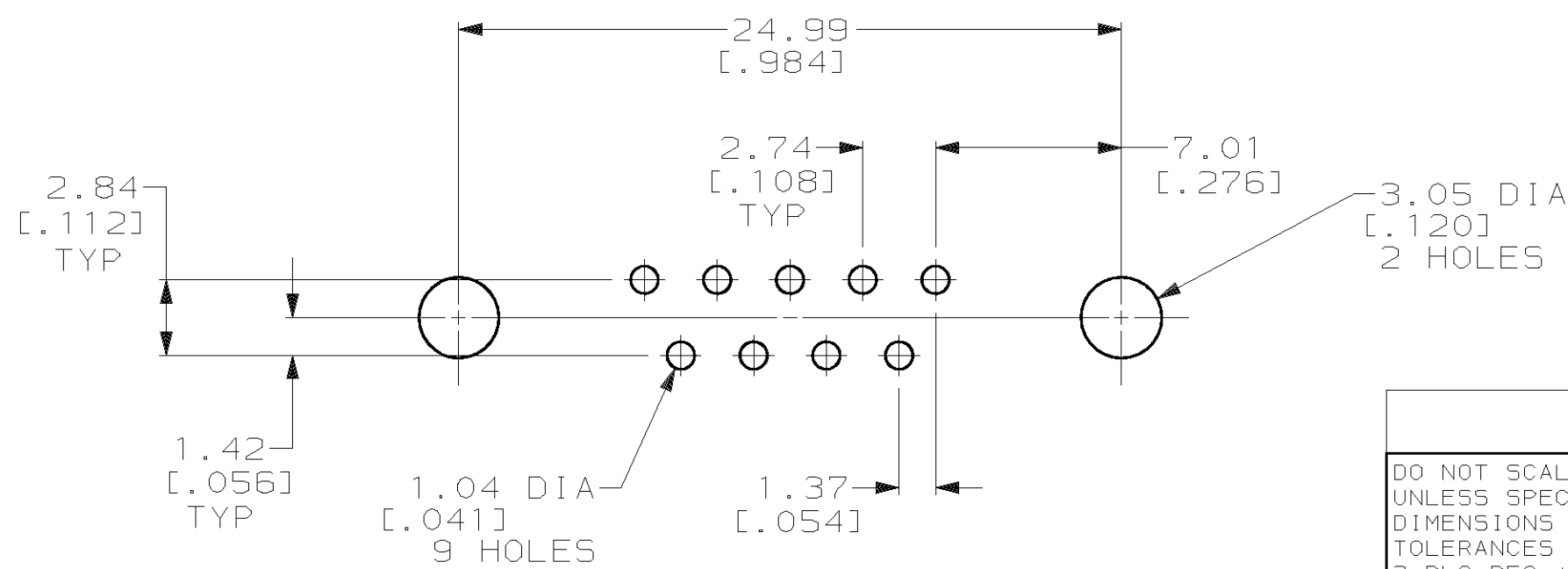
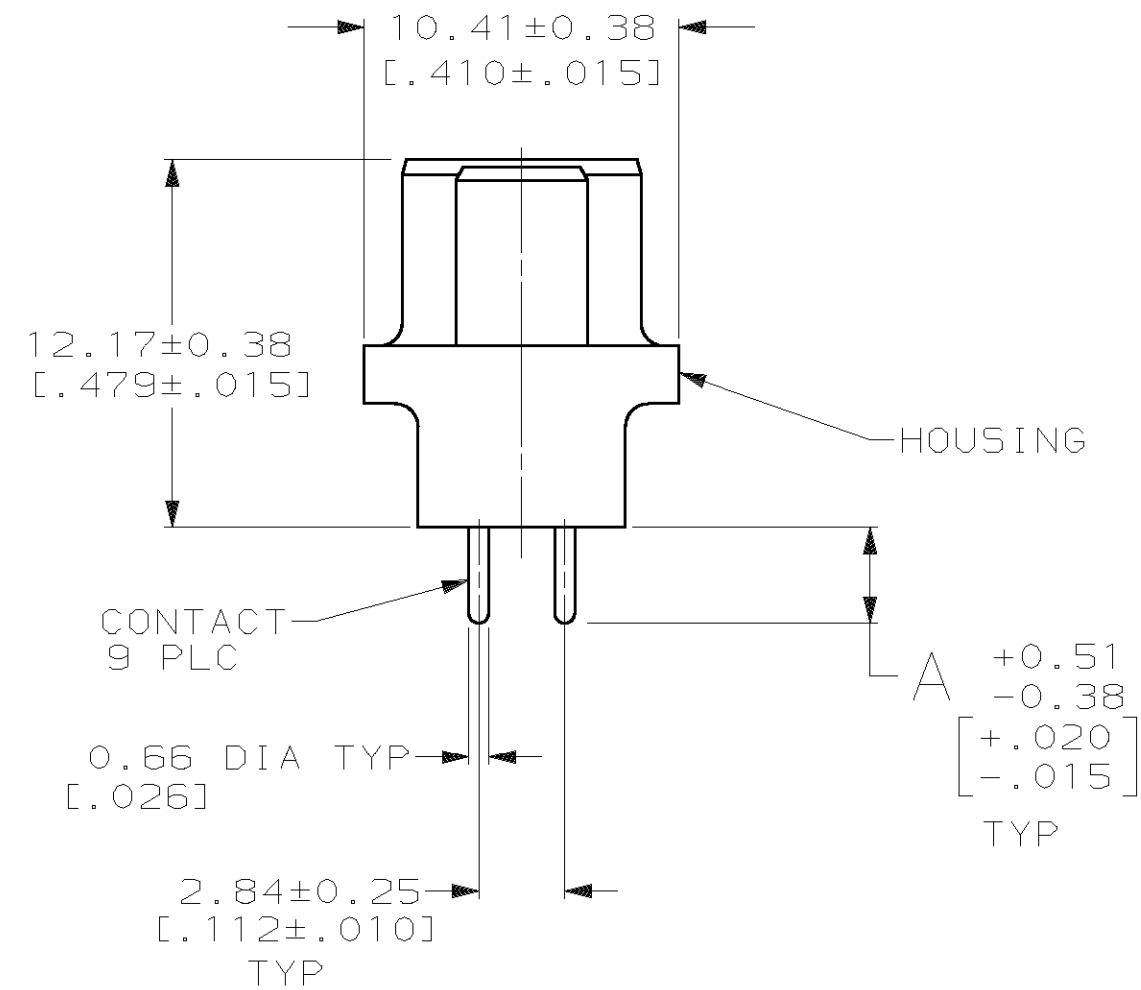
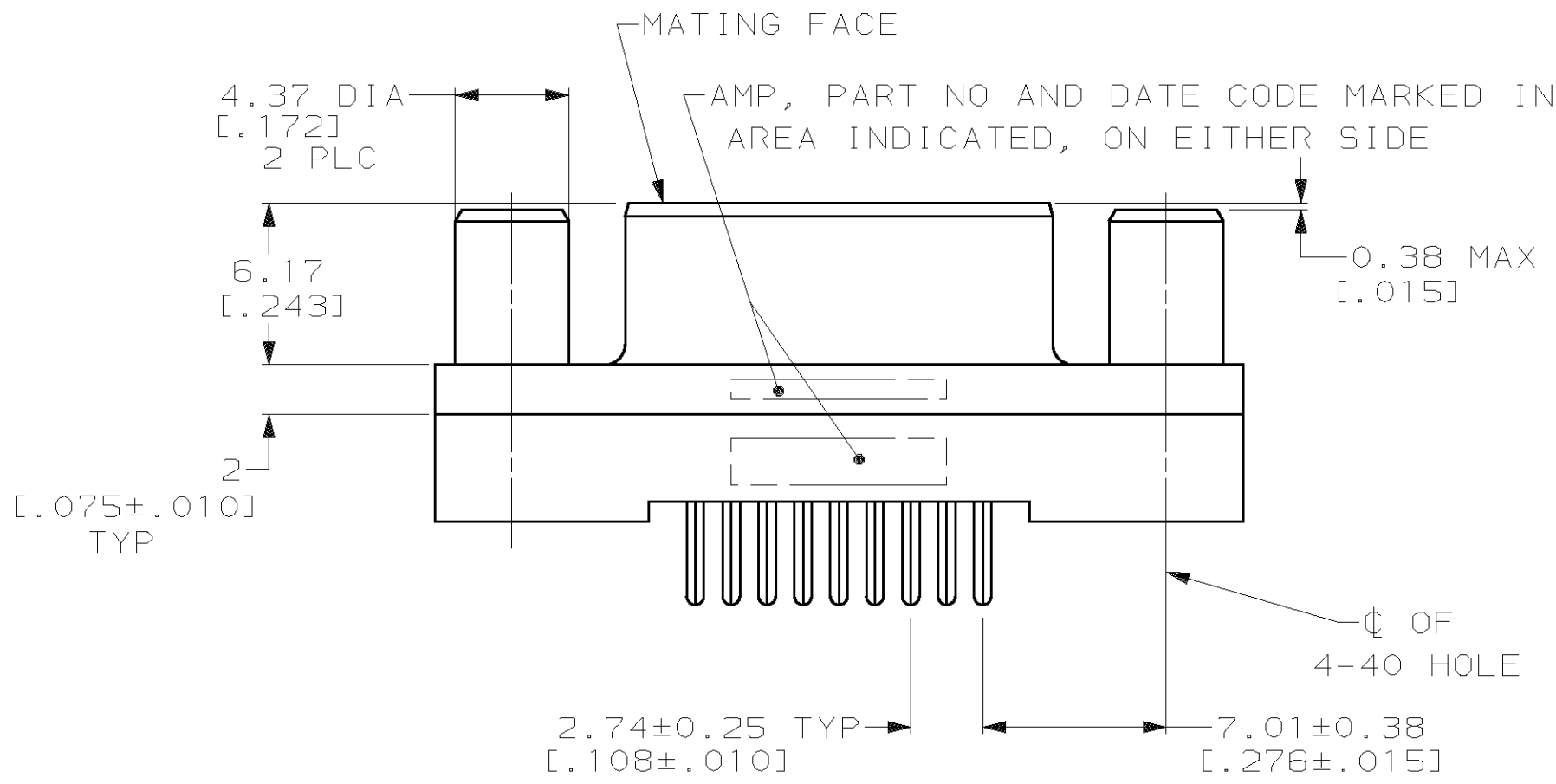


THIS DRAWING IS UNPUBLISHED. RELEASED FOR PUBLICATION  
 © COPYRIGHT 19 BY AMP INCORPORATED. ALL INTERNATIONAL RIGHTS RESERVED.

LOC		DIST		P		F		REVISIONS		DATE	APPD
ZONE	LTR	DESCRIPTION									
GP	00					G		REVISED PER EC 0513-0017-03	12MAY03	JG	



- ① HOUSING: BLACK POLYESTER, UL 94V-0 RATED; CONTACTS: PHOSPHOR BRONZE PER QQ-B-750; SCREWLOCKS: BRASS PER QQ-B-626.
- ② GOLD PLATING PER MIL-G-45204, TIN PLATING PER MIL-T-10727, NICKEL PLATING PER QQ-N-290, COPPER PLATING PER MIL-C-14550.
- ③ GOLD FLASH FOR A LENGTH OF 2.54[.100] MIN FROM MATING END, 2.54µm[.000100] MIN TIN OR TIN-LEAD FOR A LENGTH OF DIMENSION A FROM OPPOSITE END, ALL OVER 1.27µm[.000050] MIN NICKEL.
- ④ 0.76µm[.000030] MIN GOLD FOR A LENGTH OF 2.54[.100] MIN FROM MATING END, 2.54µm[.000100] MIN TIN OR TIN-LEAD FOR A LENGTH OF DIMENSION A FROM OPPOSITE END, ALL OVER 1.27µm[.000050] MIN NICKEL.
- ⑤ 1.27µm[.000050] MIN NICKEL OVER COPPER FLASH.



OBSOLETE	6.35 [.250]	④	745076-8
OBSOLETE	6.35 [.250]	③	745076-7
	4.32 [.170]	④	745076-6
OBSOLETE	4.32 [.170]	③	745076-5
	3.18 [.125]	④	745076-4
	3.18 [.125]	③	745076-3
	A	CONTACT FINISH	PART NO

DO NOT SCALE PRINT. UNLESS SPECIFIED DIMENSIONS IN mm [INCHES] TOLERANCES ON: 2 PLC DEC ± 0.13 [.005] 3 PLC DEC ± - ANGLES ± 2°	DR 11-16-89 J McCLINTON CHK 2-1-90 R.STONE APPD 2-2-90 S.SCHIEFFERLY APPD 2-2-90 C.ROHDE PRODUCT SPEC 108-40025	<b>AMP</b> AMP INCORPORATED Harrisburg, Pa. 17105 NAME RECEPTACLE ASSEMBLY, SIZE 1, 9 POSN, VERTICAL, AMPLIMITE® HD-20	
FINISH ② CONTACT: SEE TABLE SCREWLOCK: ⑤	APPLICATION SPEC - WEIGHT -	SIZE <b>C</b> CAGE CODE 00779 SCALE 4:1	DRAWING NO 745076 SHEET 1 OF 1

RECOMMENDED PC BOARD MOUNTING DIMENSIONS